

**Tool model**  
**Tool Status**

21680B-E  
active

**BOSTITCH®**

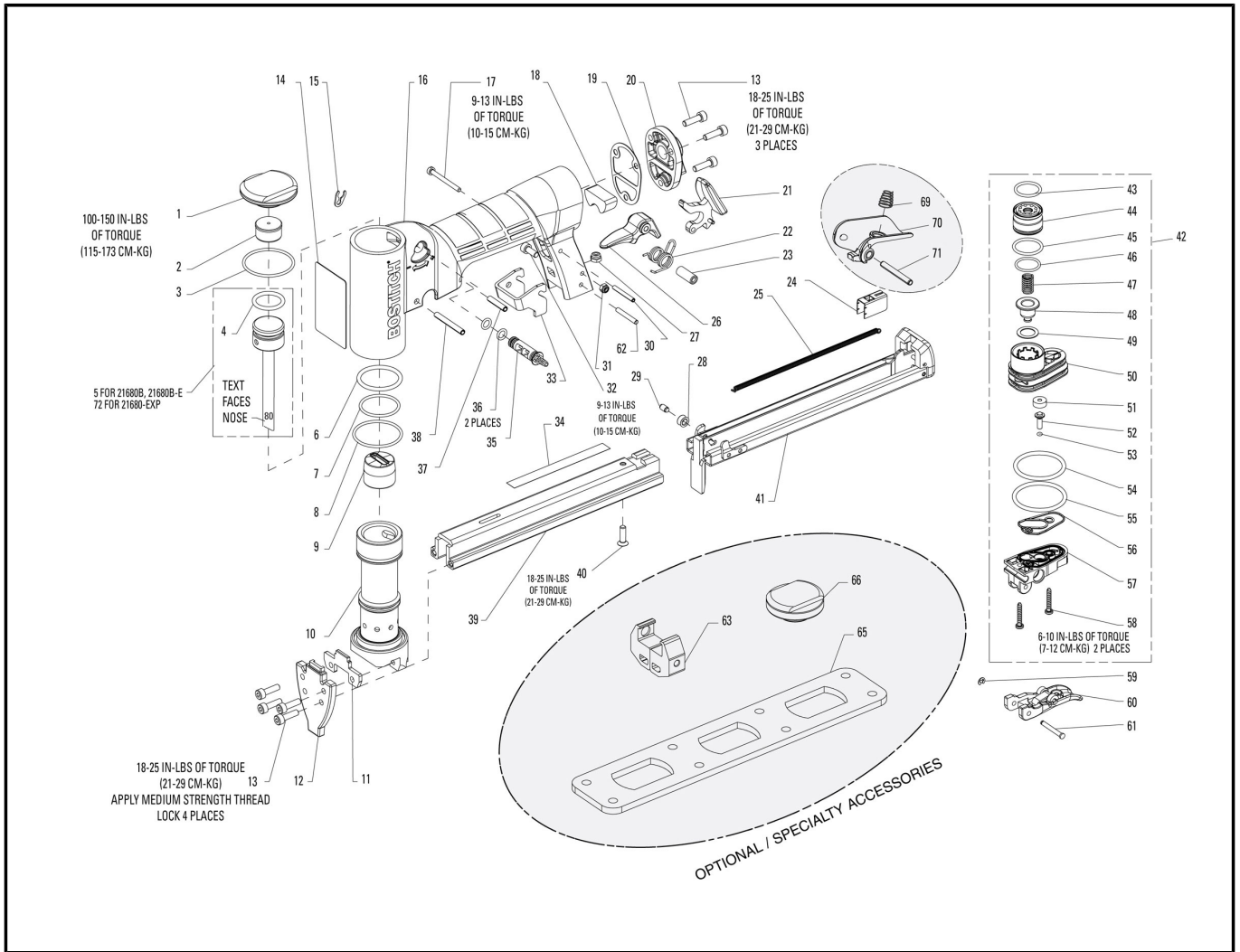


Chart Ref	Spare part code	Description	Status	Previous Part Code 1	Previous Part Code 2
1	<a href="#">174288</a>	CAP	active		
2	<a href="#">174289</a>	BUMPER, PISTON STOP	active		
3	<a href="#">100353</a>	O-RING,1.301X.070	active		
4	<a href="#">174308</a>	O-RING,,701X.075	active		
5	<a href="#">177715</a>	ASSEMBLY, DRIVER/PISTON	active		
6	<a href="#">174309</a>	O-RING,1.049X.103	active		
7	<a href="#">174310</a>	O-RING,,989X.070	active		
8	<a href="#">851349</a>	O-RING, 1.239 X .070	active		
9	<a href="#">174100</a>	BUMPER	active		
10	<a href="#">174098</a>	SLEEVE,CYLINDER	active		
11	<a href="#">174099</a>	PLATE,DRIVER GUIDE	active		
12	<a href="#">174263</a>	NOSE	active		
13	<a href="#">174306</a>	SCREW,SHCS,M4X0.7X14	active		
14	<a href="#">159831</a>	LABEL, WARNING	active		
15	<a href="#">174290</a>	RETAINER,CLIP	active		
16	<a href="#">174265</a>	FRAME	active		
17	<a href="#">174274</a>	SCREW, SHCS, M3X0.5X32	active		
18	<a href="#">174266</a>	MUFFLER	active		
19	<a href="#">174295</a>	GASKET, END CAP	active		
20	<a href="#">174296</a>	CAP, END	active		

Chart Ref	Spare part code	Description	Status	Previous Part Code 1	Previous Part Code 2
21	<a href="#">174273</a>	LATCH	active		
22	<a href="#">174301</a>	SPRING,TORSION	active		
23	<a href="#">174302</a>	BUSHING, SPRING	active		
24	<a href="#">177723</a>	PUSHER	active		
25	<a href="#">174291</a>	SPRING, EXTENSION	active		
26	<a href="#">174297</a>	LATCH, INSIDE	active		
27	<a href="#">MHE4070-100</a>	ELASTIC STOP NUT,M4	active		
28	<a href="#">174293</a>	ROLLER	active		
29	<a href="#">177740</a>	PIN, ROLLER	active		
30	<a href="#">174303</a>	PIN,COILED,M3X22	active		
31	<a href="#">MHE3050-100</a>	NUT,NYLON M3X.50	active		
32	<a href="#">MSC4070-10</a>	SCREW,SHCS,M4X0.70X10	active		
33	<a href="#">174264</a>	STOP PLATE	active		
34	<a href="#">174317</a>	LABEL, 21680B	active		
35	<a href="#">174287</a>	VALVE, ENERGY CONTROL	active		
36	<a href="#">174311</a>	O-RING, .217X.059	active		
37	<a href="#">174304</a>	PIN,COILED,M4X18	active		
38	<a href="#">174305</a>	PIN,COILED,M4X30	active		
39	<a href="#">177729</a>	MAGAZINE	active		
40	<a href="#">174307</a>	SCREW,SFHCS,M4X0.7X14	active		
41	<a href="#">177707</a>	ASSEMBLY, SLIDING MAGAZINE	active		
42	<a href="#">TVA13</a>	ASSEMBLY, TRIGGER VALVE	active		
43	<a href="#">86459</a>	O-RING, .614X.070	active		
44	<a href="#">174278</a>	HEAD VALVE	active		
45	<a href="#">174312</a>	O-RING, .700X.072	active		
46	<a href="#">102163</a>	O-RING, .591 X .059	active		
47	<a href="#">174280</a>	SPRING,COMPRESSION	active		
48	<a href="#">174279</a>	SEAL, EXHAUST	active		
49	<a href="#">174281</a>	WASHER,SPECIAL	active		
50	<a href="#">174277</a>	HOUSING, HEAD VALVE	active		
51	<a href="#">174282</a>	SEAL, TRIGGER STEM	active		
52	<a href="#">174283</a>	STEM	active		
53	<a href="#">174313</a>	O-RING, .042X.050	active		
54	<a href="#">108467</a>	O'RING,1.237 X .103	active		
55	<a href="#">100817</a>	O-RING,1.299X.103	active		
56	<a href="#">174284</a>	SEAL, VALVE	active		
57	<a href="#">174276</a>	HOUSING, TRIGGER	active		
58	<a href="#">174285</a>	SCREW, M3 X 16	active		
59	<a href="#">174298</a>	RETAINER,E-RING	active		
60	<a href="#">174269</a>	ASSEMBLY, TRIGGER	active		
61	<a href="#">174268</a>	PIN, SPECIAL	active		
62	<a href="#">174326</a>	PIN,SOLID,M3X22	active		
63	<a href="#">174267</a>	ASSEMBLY, SKIRT GAUGE	active		
65	<a href="#">174322</a>	WRENCH	active		
66	<a href="#">174323</a>	CAP, HEAVY	active		
69	<a href="#">174300</a>	SPRING, COMPRESSION, CONICAL	active		
70	<a href="#">174299</a>	TRIGGER, SECOND	active		
71	<a href="#">177685</a>	PIN, SPRING, 4X32MM	active		