

Tool model
Tool Status

21680B-LN-E
active

BOSTITCH®

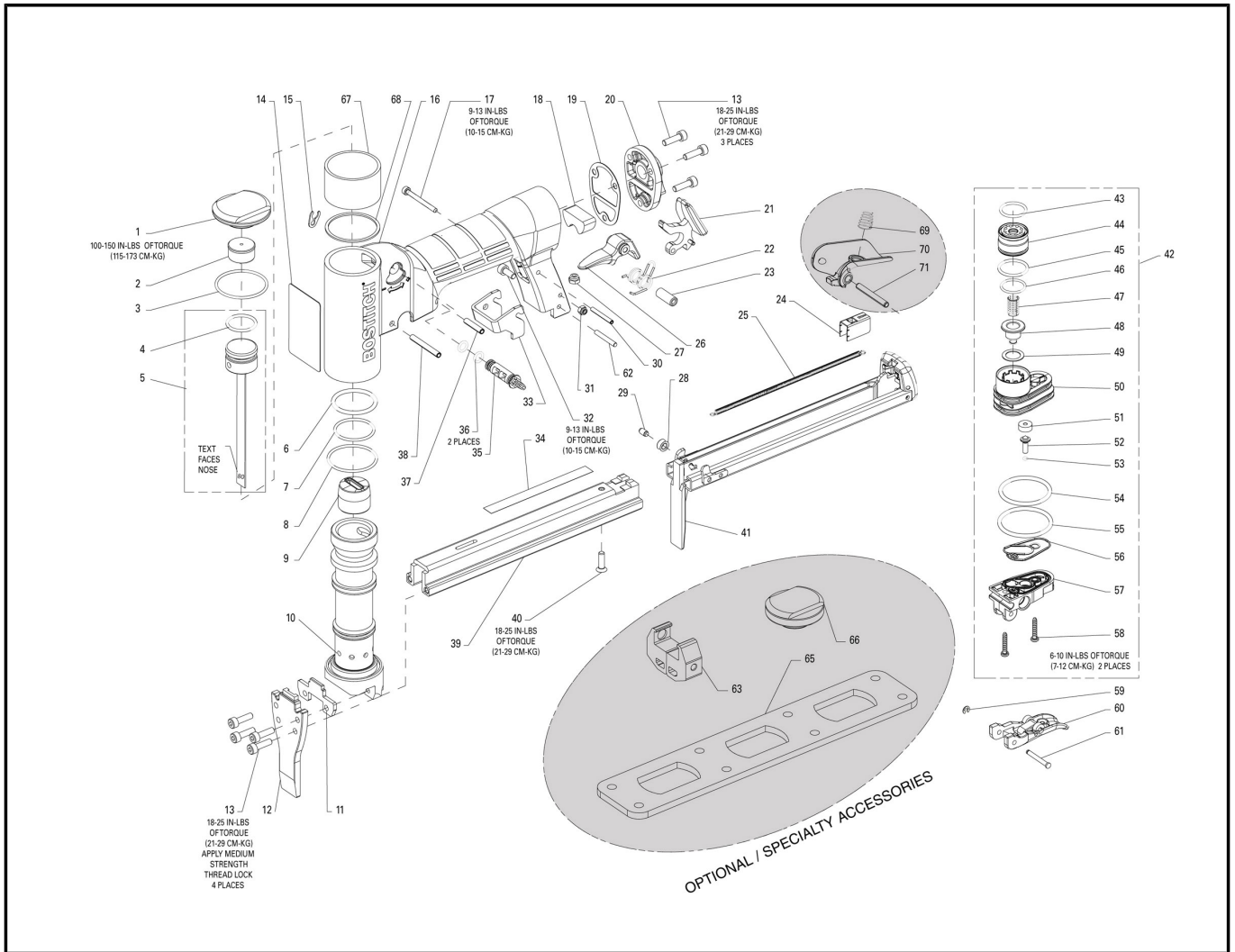


Chart Ref	Spare part code	Description	Status	Previous Part Code 1	Previous Part Code 2
1	174288	CAP	active		
2	174289	BUMPER, PISTON STOP	active		
3	100353	O-RING,1.301X.070	active		
4	174308	O-RING,,701X.075	active		
5	177716	ASSEMBLY, DRIVER/PISTON	active		
6	174309	O-RING,1.049X.103	active		
7	174310	O-RING,,989X.070	active		
8	851349	O-RING, 1.239 X .070	active		
9	174100	BUMPER	active		
10	174324	SLEEVE, CYLINDER	active		
11	174099	PLATE,DRIVER GUIDE	active		
12	177701	NOSE	active		
13	174306	SCREW,SHCS,M4X0.7X14	active		
14	159831	LABEL, WARNING	active		
15	174290	RETAINER,CLIP	active		
16	174265	FRAME	active		
17	174274	SCREW, SHCS, M3X0.5X32	active		
18	174266	MUFFLER	active		
19	174295	GASKET, END CAP	active		
20	174296	CAP, END	active		

Chart Ref	Spare part code	Description	Status	Previous Part Code 1	Previous Part Code 2
21	174273	LATCH	active		
22	174301	SPRING,TORSION	active		
23	174302	BUSHING, SPRING	active		
24	177723	PUSHER	active		
25	174291	SPRING, EXTENSION	active		
26	174297	LATCH, INSIDE	active		
27	MHE4070-100	ELASTIC STOP NUT,M4	active		
28	174293	ROLLER	active		
29	177740	PIN, ROLLER	active		
30	174303	PIN,COILED,M3X22	active		
31	MHE3050-100	NUT,NYLON M3X.50	active		
32	MSC4070-10	SCREW,SHCS,M4X0.70X10	active		
33	174264	STOP PLATE	active		
34	174317	LABEL, 21680B	active		
35	174287	VALVE, ENERGY CONTROL	active		
36	174311	O-RING,.217X.059	active		
37	174304	PIN,COILED,M4X18	active		
38	174305	PIN,COILED,M4X30	active		
39	177729	MAGAZINE	active		
40	174307	SCREW,SFHCS,M4X0.7X14	active		
41	177708	ASSEMBLY, SLIDING MAGAZINE	active		
42	TVA13	ASSEMBLY, TRIGGER VALVE	active		
43	86459	O-RING,.614X.070	active		
44	174278	HEAD VALVE	active		
45	174312	O-RING,.700X.072	active		
46	102163	O-RING, .591 X .059	active		
47	174280	SPRING,COMPRESSION	active		
48	174279	SEAL, EXHAUST	active		
49	174281	WASHER,SPECIAL	active		
50	174277	HOUSING, HEAD VALVE	active		
51	174282	SEAL, TRIGGER STEM	active		
52	174283	STEM	active		
53	174313	O-RING,.042X.050	active		
54	108467	O'RING,1.237 X .103	active		
55	100817	O-RING,1.299X.103	active		
56	174284	SEAL, VALVE	active		
57	174276	HOUSING, TRIGGER	active		
58	174285	SCREW, M3 X 16	active		
59	174298	RETAINER,E-RING	active		
60	174269	ASSEMBLY, TRIGGER	active		
61	174268	PIN, SPECIAL	active		
62	174326	PIN,SOLID,M3X22	active		
63	174267	ASSEMBLY, SKIRT GAUGE	active		
65	174322	WRENCH	active		
66	174323	CAP, HEAVY	active		
67	174329	SPACER,CAP	active		
68	174328	GASKET	active		
69	174300	SPRING, COMPRESSION, CONICAL	active		
70	174299	TRIGGER, SECOND	active		
71	177685	PIN, SPRING, 4X32MM	active		