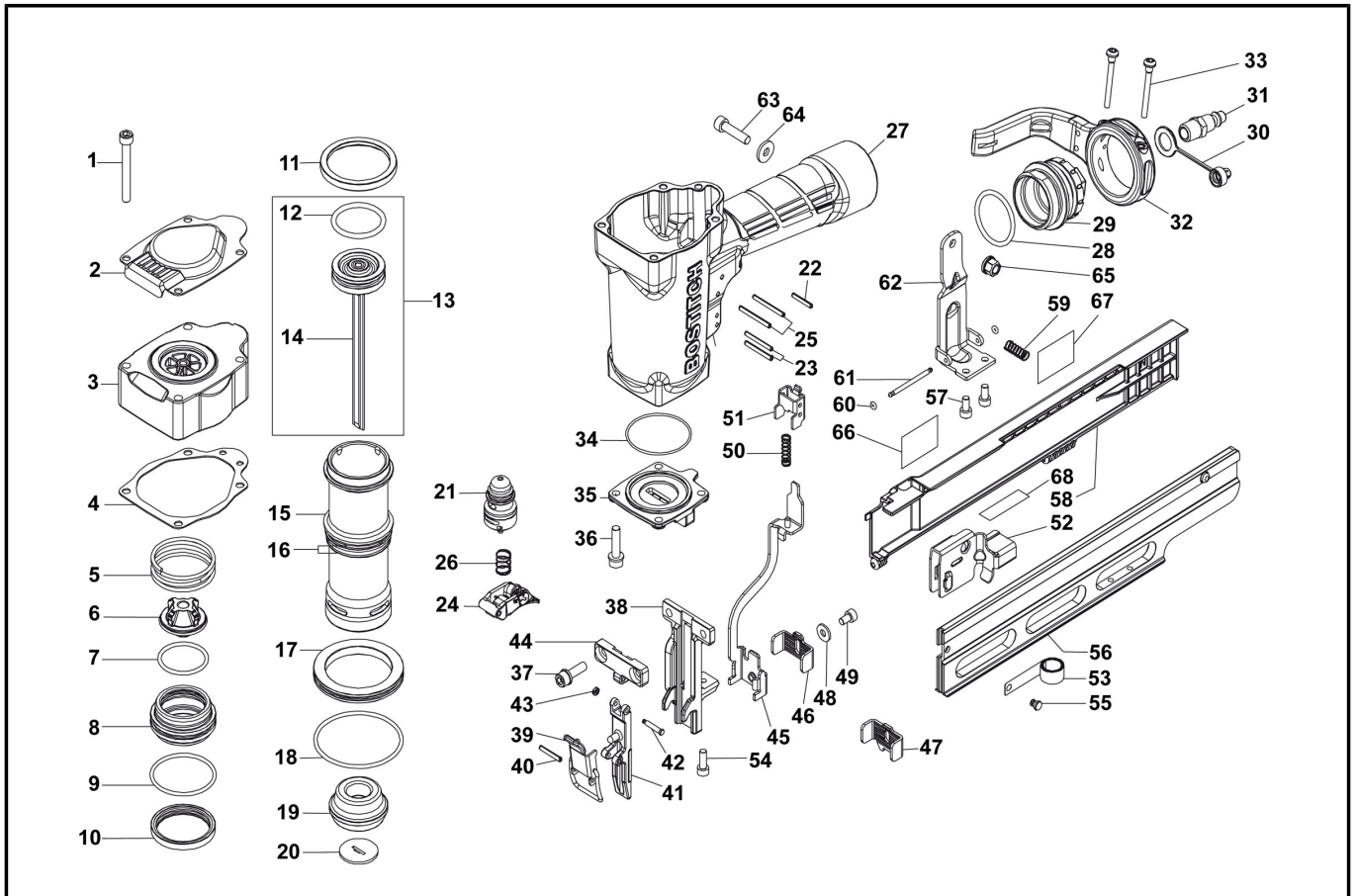


Tool model
Tool Status

65155
active

BOSTITCH®



| Chart Ref | Spare part code | Description | Status | Previous Part Code 1 | Previous Part Code 2 |
|-----------|----------------------------|---------------------------|--------|----------------------|----------------------|
| 1 | MSC6100-50 | SCREW,SHSC,M6X1.00X50 | active | | |
| 2 | 9R189903 | DEFLECTOR | active | | |
| 3 | 9R189904 | CAP | active | | |
| 4 | 9R189905 | SEAL | active | | |
| 5 | 9R189872 | SPRING COMPRESSION | active | | |
| 6 | 9R189871 | SEAL | active | | |
| 7 | 9R189906 | O RING | active | | |
| 8 | 9R189870 | PISTON | active | | |
| 9 | 9R189907 | O RING | active | | |
| 10 | 9R189908 | COLLAR | active | | |
| 11 | 9R189909 | RING | active | | |
| 12 | 9R189910 | O RING | active | | |
| 13 | 000000-05 | PARTIAL SUPPORT | active | | |
| 14 | 9R189866 | DRIVER SA | active | | |
| 15 | 9R189868 | CYLINDER | active | | |
| 16 | 9R189911 | O RING | active | | |
| 17 | 9R189912 | SPACER | active | | |
| 18 | 9R189913 | O RING | active | | |
| 19 | 9R189865 | BUMPER | active | | |
| 20 | 9R189869 | GUIDE | active | | |
| 21 | TVA6 | KIT,TRIGGER VALVE | active | | |
| 22 | MPP030020 | PIN,SPIRAL M3X20MM | active | | |
| 23 | 102549 | PIN,SPECIAL SPIROL M3XM25 | active | | |
| 24 | 9R189916 | TRIGGER | active | | |

| Chart Ref | Spare part code | Description | Status | Previous Part Code 1 | Previous Part Code 2 |
|-----------|-----------------------------|-------------------------|----------|----------------------|----------------------|
| 25 | 100298 | PIN, SPIRAL M3X30 | active | | |
| 26 | 9R189902 | SPRING | active | | |
| 27 | 9R189918 | BODY | active | | |
| 28 | 9R189919 | O RING | active | | |
| 29 | 9R189920 | END CAP | active | | |
| 30 | 9R189921 | PLUG | active | | |
| 31 | 10.320.5152 | NIPPLE 1/4M (EURO) | active | | |
| 32 | 9R189923 | HOOK | active | | |
| 33 | 9R189924 | SCREW | active | | |
| 34 | 9R189926 | O RING | active | | |
| 35 | 9R189927 | BASE | active | | |
| 36 | MSC6100-25 | SCREW, SHCS, M6X1.00X25 | active | | |
| 37 | 000000-05 | PARTIAL SUPPORT | active | | |
| 38 | 9R189930 | NOSE | active | | |
| 39 | 9R189931 | LATCH | active | | |
| 40 | 9R189932 | PIN | active | | |
| 41 | 9R189933 | COVER-TOP | active | | |
| 42 | 9R189934 | PIN | active | | |
| 43 | 9R189935 | RETAINER | active | | |
| 44 | 9R189936 | COVER | active | | |
| 45 | 9R189937 | ARM | active | | |
| 46 | 9R189938 | CONTACT | active | | |
| 47 | 9R189925 | SLIDER | active | | |
| 48 | 9R189939 | WASHER | active | | |
| 49 | MSC5080-8 | SCREW, SHCS, M5X0.80X8 | fut disc | | |
| 50 | 9R189941 | SPRING | active | | |
| 51 | 9R189942 | GUIDE | active | | |
| 52 | 9R189873 | PUSH BLOCK | active | | |
| 53 | 9R189867 | SPRING | active | | |
| 54 | 9R189943 | BOLT | active | | |
| 55 | 9R189875 | SPRING | active | | |
| 56 | 9R189874 | MAGAZINE SA | active | | |
| 57 | MSC5080-10 | SCREW, SHCS, M5X0.80X10 | fut disc | | |
| 58 | 9R189945 | COVER | active | | |
| 59 | 9R189946 | SPRING | active | | |
| 60 | 9R189947 | O RING | active | | |
| 61 | 9R189948 | PIN | active | | |
| 62 | 9R189949 | BRACKET | active | | |
| 63 | MSC6100-25 | SCREW, SHCS, M6X1.00X25 | active | | |
| 64 | MPW6 | WASHER | fut disc | | |
| 65 | MHE6100-100 | NUT, ESN M6X1 | active | | |
| 66 | 000000-05 | PARTIAL SUPPORT | active | | |
| 67 | 000000-05 | PARTIAL SUPPORT | active | | |
| 68 | 000000-05 | PARTIAL SUPPORT | active | | |