

Tool model
Tool Status

75055-1
active

BOSTITCH®

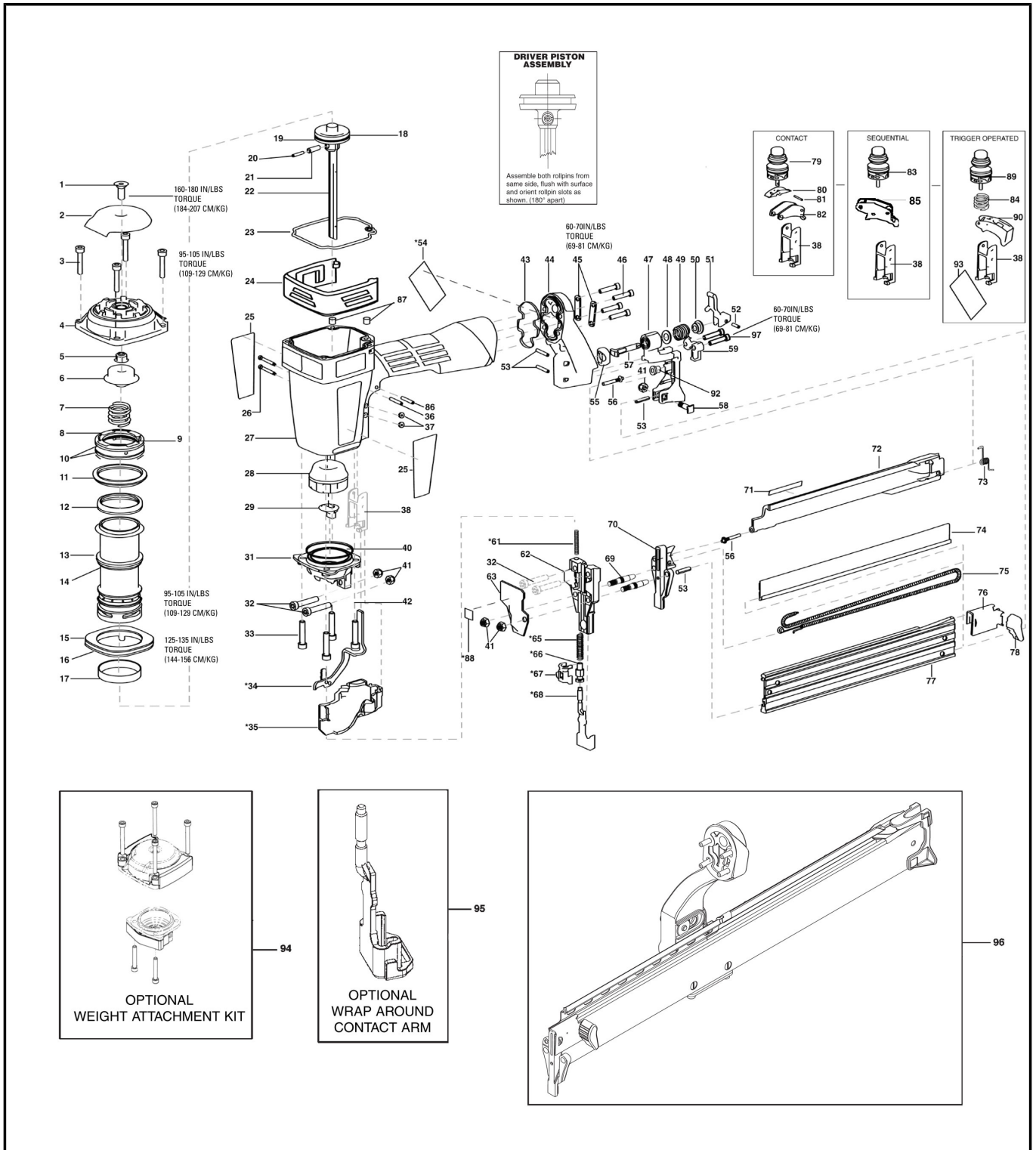


Chart Ref	Spare part code	Description	Status	Previous Part Code 1	Previous Part Code 2
1	105749	SCREW,SFHCS,M8x1.25x20	active		
2	103785	DEFLECTOR	active		
3	MSC6100-30	SCREW,SHCS,M6X1.00X30	active		
4	103816	CAP,FRAME	active		
5	103859	NUT,HFN,M8X1.25	active		
6	103760	BUMPER, TOP	active		
7	103767	SPRING, HEAD VALVE	active		
8	103761	VALVE, HEAD	active		

Chart Ref	Spare part code	Description	Status	Previous Part Code 1	Previous Part Code 2
9	MRG041630	O-RING,1.638X.118	active		
10	103813	O-RING,2.217X.103	active		
11	103818	RETAINER,CYL.SLEEVE	active		
12	103814	SEAL,CYLINDER	active		
13	850006	O-RING,1.987X.103	active		
14	104597	CYLINDER	active		
15	851753	O-RING,2.734X.139	active		
16	104605	RING,CYLINDER SLEEVE	active		
17	103862	GARTER BAND	active		
18	103826	O-RING,PISTON,URETHANE	active		
19	103759	PISTON,T55	active		
20	UB2111.2	PIN,SPRING,.125X.69	active		
21	UB4809.1	PIN,SPRING,.219X.69	active		
22	106075	KIT,DRIVER REPLACEMENT-750S5	active		
23	103802	SEAL,CAP	active		
24	107149	PROTECTOR,FRAME	active		
25	115423	ASSEMBLY, LABEL	active	105797	
26	105811	SCREW,TRIGGER PIVOT	active		
27	107180	FRAME OVERMOLD	active		
28	103758	BUMPER,BOTTOM	active		
29	103803	GUIDE,DRIVER,50S5	active		
31	103782	FRAME,BOTTOM	active		
32	MSC6100-35	SCREW,SHCS,M6X1.00X35	active		
33	MSC6100-30	SCREW,SHCS,M6X1.00X30	active		
34	105773	ARM,UPPER CONTACT ASSY	active		
35	105808	COVER,CONTACT ARM ASSEMBLY	active		
36	100298	PIN,SPIRAL M3X30	active		
37	MHE3050-100	NUT,NYLON M3X.50	active		
38	106953	UPPER TRIP GUIDE ASSY	active		
40	RG198907-1	O-RING,1.989X0.070	active		
41	MHE6100-100	NUT,ESN M6X1	active		
42	105782	BRACE,LUG	active		
43	103808	SEAL,END CAP	active		
44	104602	CAP,FRAME END	active		
45	103819	RETAINER,END CAP	active		
46	MSC5080-25	SCREW,SHCS,M5X0.80X25	active		
47	103786	CAP,MAGAZINE END	active		
48	104612	WASHER	active		
49	105786	SPRING,LATCH LEVER	active		
50	103806	BUSHING,SPRING	active		
51	103447	TOGGLE,MAGAZINE	active		
52	MPG030012	PIN,SPRING,M3X12MM	active		
53	103858	PIN,SPRING,4X20MM	active		
54	159918	LABEL,WARNING,650/750/850	active		
55	103795	disc,LATCH STOP	active		
56	103768	PIN,MAGAZINE COVER	active		
57	105780	PIN,LATCH	active		
58	103851	BOLT,SQUARE(SPECIAL)	active		
59	103776	MAGAZINE STOP	active		
61	107310	SPRING,C.T.,INNER	active		

Chart Ref	Spare part code	Description	Status	Previous Part Code 1	Previous Part Code 2
62	107221	NOSE,750S5	active		
63	103871	COVER,CONTACT ARM	active		
65	105776	SPRING,C.T.,OUTER	active		
66	103865	NUT,ADJUSTING	active		
67	103864	ADAPTER	active		
68	103792	ARM,LOWER CONTACT	active		
69	103838	PIN,NOSE	active		
70	103828	CORE TIP,750S5	active		
71	105802	LABEL,MODEL 750S5	active		
72	104600	COVER,MAGAZINE	active		
73	103839	SPRING,TORSION	active		
74	103812	COVER,CORE,S5	active		
75	104613	SPRING,PUSHER ASSEMBLY	active		
76	103846	PUSHER,S5	active		
77	105793	CORE ASSEMBLY	active		
78	103791	HANDLE,PUSHER	active		
79	STV2	KIT,TRIGGER VALVE-SPEED	active		
80	T55092	ROCKER,TRIGGER	active		
81	MPD016012	PIN,DOWEL,.062X.459	active		
82	100607	ASSEMBLY,TRIGGER	active		
83	TVA6	KIT,TRIGGER VALVE	active		
85	SEQ6	KIT,SEQUENTIAL	active		
86	MPP030020	PIN,SPIRAL M3X20MM	active		
87	105821	SLEEVE,FRAME GUARD	active		
88	851934	LABEL, TRIP ADJ.	active		
89	106869	KIT,TRIGGER VALVE	active		
90	107191	TRIGGER OPER TRIGGER ASSY	active		
92	106961	BEARING,COVER PIN	active		
93	159927	LABEL,WARNING,T.O.	active		
94	107205	KIT,WEIGHT ATTACHMENT	active		
95	107596	ARM,WRAP AROUND CT-750	active		
96	108075	KIT,LONG MAG 750S5	active		
97	MSC5080-20	SCREW,SOC HD. CAP M5 X 20	fut disc		