

Tool model
Tool Status

BRT130-E
active

BOSTITCH®

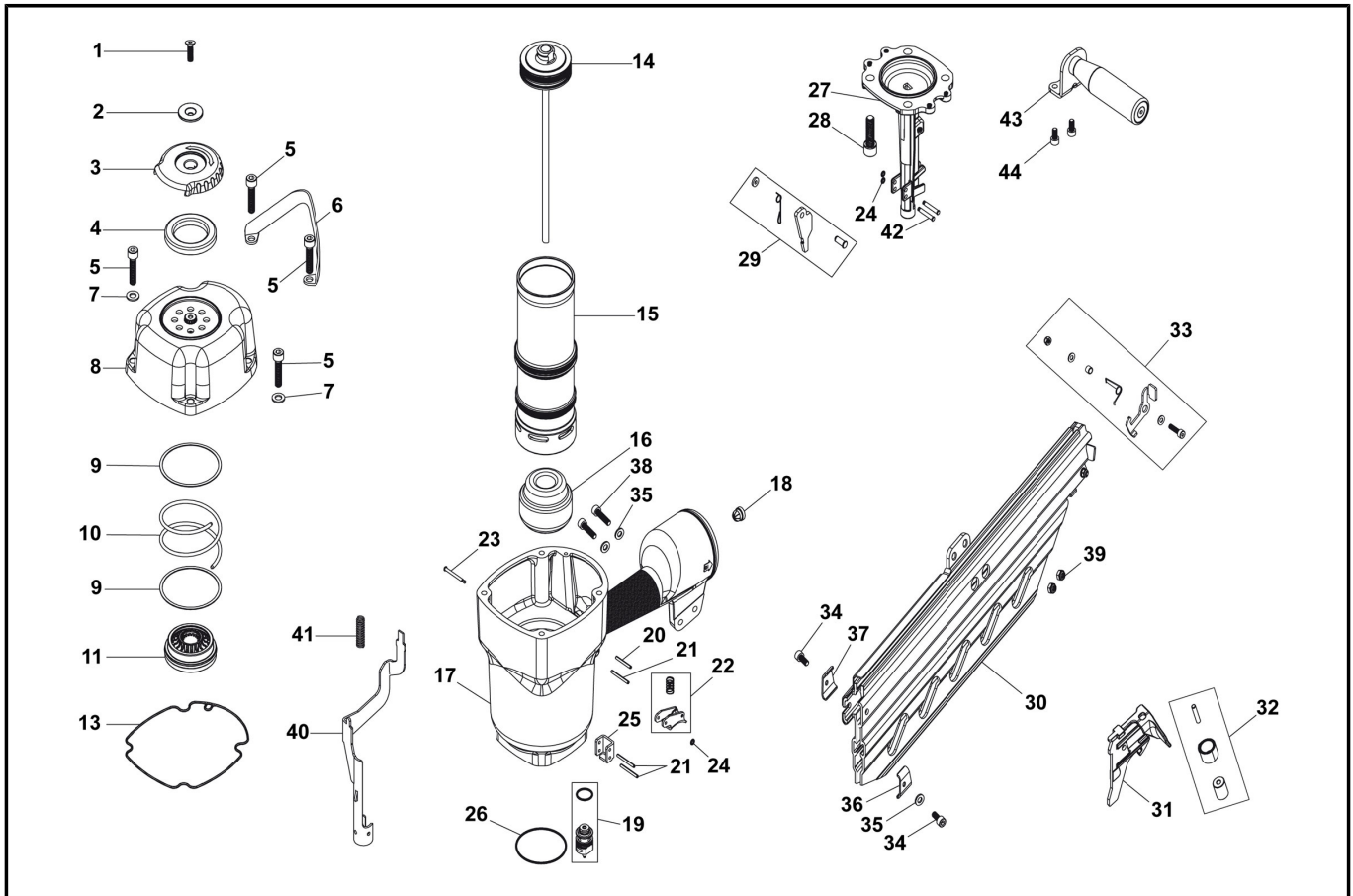


Chart Ref	Spare part code	Description	Status	Previous Part Code 1	Previous Part Code 2
1	S0310825100	SCREW	active		
2	188681	BUSH	active		
3	P2070000266	EXHAUST	active		
4	P2740001200	MUFFLER	active		
5	S0110835100	BOLT	active		
6	P2966102057	HOOK	active		
7	S05108161500	WASHER	active		
8	P2960004440	HOUSING	active		
9	P2965203262	O RING	active		
10	P2960002500	SPRING	active		
11	G0102400	INTAKE VALVE	active		
13	P2960004100	GASKET	active		
14	G0315300	PISTON	active		
15	G0505200	CYLINDER	active		
16	P2960000800	BUMPER	active		
17	G4221302	HOUSING	active		
18	P2960002100	MUFFLER	active		
19	B296402004	TRIGGER	active		
20	S0803026000	PIN	active		
21	100298	PIN, SPIRAL M3X30	active		
22	B296402002	TRIGGER	active		
23	174062	STEPPED PIN	active		
24	174073	O-RING, 2.05MMx2.62MM	active		
25	P2966302265	GUIDE	active		

Chart Ref	Spare part code	Description	Status	Previous Part Code 1	Previous Part Code 2
26	S06S007100	O RING	active		
27	P2960001565	NOSE	active		
28	S2711035101	BOLT	active		
29	B296402005	LOCK SA	active		
30	B296402007	MAGAZINE	active		
31	P2960003762	PUSH BLOCK	active		
32	B296402003	SPRING SA	active		
33	B296402006	LATCH	active		
34	S0110616100	BOLT	active		
35	S05106121500	WASHER	active		
36	P2960004762	PLATE LH	active		
37	P2960004662	PLATE RH	active		
38	S0110625100	BOLT	active		
39	1G106	LOCK NUT	fut disc		
40	P2960004565	ACTUATION ARM	active		
41	P1925201562	SPRING	active		
42	P2960004362	PIN	active		
43	P2960003400	HANDLE	active		
44	S0110612100	BOLT	active		