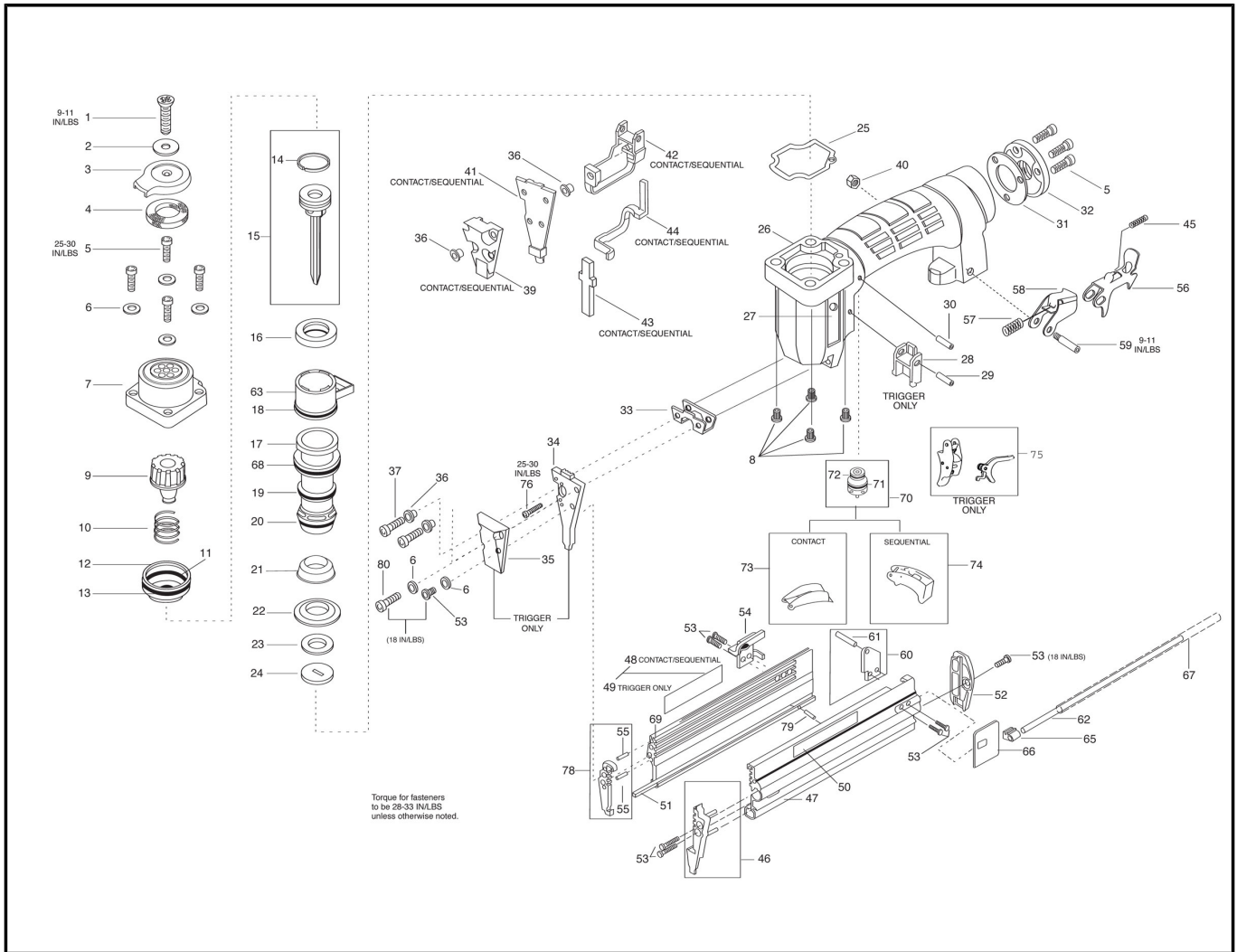


Tool model
Tool Status

BT50B-1
active

BOSTITCH®



| Chart Ref | Spare part code | Description | Status | Previous Part Code 1 | Previous Part Code 2 |
|-----------|---------------------------|-----------------------------|----------|------------------------|----------------------|
| 1 | 100297 | SCREW,CRFCHS,M4X0.7X25 | active | | |
| 2 | S32030 | WASHER, SPECIAL | active | | |
| 3 | S32032 | COVER,EXHAUST | active | | |
| 4 | S32045 | MUFFLER | active | | |
| 5 | 100260 | SCREW, SOC. HD. CAP M4 X 20 | active | | |
| 6 | S32186 | WASHER, SPECIAL | active | | |
| 7 | T32055 | CAP | active | | |
| 8 | S32011 | INSERT,M4 | active | | |
| 9 | T32007 | BUMPER, PISTON STOP | active | | |
| 10 | T32028 | SPRING,HEAD VALVE | active | | |
| 11 | 108572 | O-RING,26MMX2MM | active | | |
| 12 | T32014 | HEAD VALVE | active | | |
| 13 | MRG035020 | O-RING,1.378X.079 | fut disc | 108573 | |
| 14 | S32109 | RING,PISTON | active | | |
| 15 | 101155 | ASSEMBLY,DRIVER/PISTON | active | | |
| 16 | T32031 | SEAL,CYLINDER SLEEVE | active | | |
| 17 | S32209 | SLEEVE,CYLINDER | active | | |
| 18 | RG161210 | O-RING,1.612X.103 NBR | active | | |
| 19 | T32080 | CHECK SEAL | active | | |
| 20 | 100353 | O-RING,1.301X.070 | active | | |

| Chart Ref | Spare part code | Description | Status | Previous Part Code 1 | Previous Part Code 2 |
|-----------|-----------------------------|---------------------------|--------|---------------------------|----------------------|
| 21 | 102882 | BUMPER | active | | |
| 22 | S32187 | PLATE, FRAME | active | | |
| 23 | S32001 | WASHER | active | | |
| 24 | S32090 | GUIDE,DRIVER | active | | |
| 25 | T32046 | GASKET,FRAME/CAP | active | | |
| 26 | T32008A | FRAME | active | | |
| 27 | 113218 | LABEL,BOSTITCH | active | | |
| 28 | 106173 | STOP,TRIGGER | active | | |
| 29 | 100298 | PIN, SPIRAL M3X30 | active | | |
| 30 | 102549 | PIN,SPECIAL SPIROL M3XM25 | active | MPP030025 | |
| 31 | S32141 | GASKET, END CAP | active | | |
| 32 | S32140 | CAP,END | active | | |
| 33 | S32017A | ASSEMBLY, NUT PLATE | active | | |
| 34 | 101685 | NOSE | active | | |
| 35 | S32182 | COVER,NOSE | active | | |
| 36 | S32184 | SPACER | active | | |
| 37 | 100258 | SCREW,SHCS,M4X0.7X35 | active | | |
| 39 | S32121 | GUARD,ARM | active | | |
| 40 | MHE4070-100 | ELASTIC STOP NUT,M4 | active | | |
| 41 | 101963 | NOSE,50MM TRIP | active | | |
| 42 | S32122A | ASSEMBLY,ARM GUIDE | active | | |
| 43 | S32179 | CONTACT, LOWER ARM | active | | |
| 44 | S32127 | ARM,UPPER CONTACT | active | | |
| 45 | T27160 | SPRING,COMPRESSION | active | | |
| 46 | 104965 | CASTING,PLATE | disc | | |
| 47 | 103163 | MAGAZINE | active | | |
| 48 | 159911 | LABEL,WARNING,CT/ST | active | | |
| 49 | 159914 | LABEL,WARNING,T.O. | active | | |
| 50 | 103946 | LABEL,BT50B MAG. CAPACITY | active | | |
| 51 | 101696 | ROD,WEAR | active | | |
| 52 | 102941 | END,MAGAZINE | active | | |
| 53 | MSC4070-10 | SCREW,SHCS,M4X0.70X10 | active | | |
| 54 | 101692 | BRACKET,MAGAZINE | active | | |
| 55 | 100222 | PIN,SPRING 2.5MMX10MM | active | | |
| 56 | 101690 | LATCH | active | | |
| 57 | S32024 | SPRING,COMPRESSION | active | | |
| 58 | 101691 | BRACKET,FRAME LATCH | active | | |
| 59 | S32066 | PIN,SPECIAL | active | | |
| 60 | 103425 | ASSEMBLY,LATCH BRACKET | active | | |
| 61 | S32176 | PIN,SPECIAL | active | | |
| 62 | 101738 | ROD,MAGAZINE | active | | |
| 63 | 102812 | RING,CYLINDER SLEEVE | active | | |
| 65 | 101695 | BUSHING,PUSHER | active | | |
| 66 | 102867 | PUSHER | active | | |
| 67 | 101688 | SPRING,COMPRESSION | active | | |
| 68 | 100817 | O-RING,1.299X.103 | active | | |
| 69 | 103080 | MAGAZINE,FIXED | active | | |
| 70 | TVAS | KIT,S32/BT TRIGGER VLV | active | | |
| 71 | 106967 | O-RING,.724X.106 | active | | |
| 72 | 86459 | O-RING,.614X.070 | active | | |

| Chart Ref | Spare part code | Description | Status | Previous Part Code 1 | Previous Part Code 2 |
|------------------|--------------------------|-----------------------------|---------------|-----------------------------|-----------------------------|
| 73 | CNTK2 | KIT,CONTACT TRIP CONVERSION | active | | |
| 74 | SEQ6 | KIT,SEQUENTIAL | active | | |
| 75 | DTK1 | KIT,DUAL TRIGGER | active | | |
| 76 | 102388 | SCREW,SFHCS M4X0.07X20 | active | | |
| 78 | 103386 | ASSEMBLY,CORE PLATE | active | | |
| 79 | UB2104.6 | PIN, SPRING .094 X .25 | active | | |
| 80 | 105235 | SCREW,SHCS M4X25 | active | | |