

**Tool model**  
**Tool Status**

**N75C-2-E**  
**active**

**BOSTITCH®**

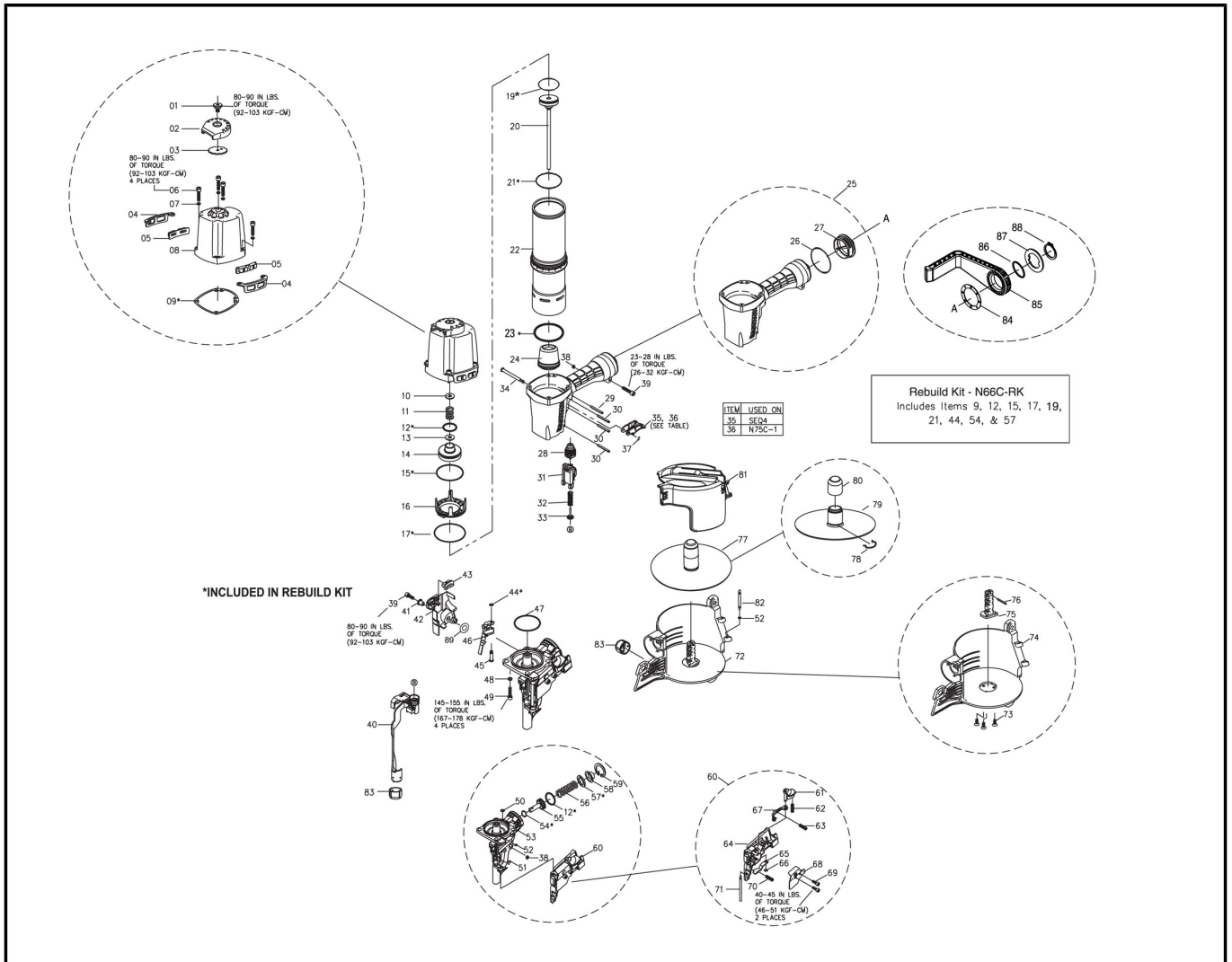


Chart Ref	Spare part code	Description	Status	Previous Part Code 1	Previous Part Code 2
1	<a href="#">P3030002262</a>	SHOULDER SCREW	active		
2	<a href="#">P3030002366</a>	EXHAUST COVER	active		
3	<a href="#">P3030002162</a>	SET PLATE	active		
4	<a href="#">174046</a>	BRACKET, RUBBER PAD	active	<a href="#">P3030002562</a>	
5	<a href="#">174045</a>	PAD, RUBBER	active	<a href="#">P3030002666</a>	
6	<a href="#">S0110530101</a>	HEX.SOC.HD.BOLT	active		
7	<a href="#">1D105</a>	SPRING WASHER	active	<a href="#">S0410500</a>	
8	<a href="#">G5400400</a>	DEFLECTOR UNIT	active		
9	<a href="#">174050</a>	GASKET, FRAME/DEFLECTOR	active	<a href="#">P2320000500</a>	
10	<a href="#">174049</a>	SEAL, DEFLECTOR	active	<a href="#">P23200006800</a>	
11	<a href="#">174051</a>	SPRING, COMPRESSION	active	<a href="#">P2325700600</a>	
12	<a href="#">174053</a>	O-RING, 20.8MMx2.4MM	active		
13	<a href="#">174052</a>	WASHER, SPECIAL	active	<a href="#">P2325208062</a>	
14	<a href="#">174054</a>	PISTON, HEAD VALVE	active	<a href="#">P2320000700</a>	
15	<a href="#">174055</a>	O-RING, 44.7MMx3.5MM	active		
16	<a href="#">P2900002400</a>	COLLAR	active		
17	<a href="#">174056</a>	O-RING, 66.5MMx2.0MM	active		
19	<a href="#">174060</a>	O-RING, 36.0x4.0MM	active		
20	<a href="#">G0214900</a>	DRIVER UNIT	active		

Chart Ref	Spare part code	Description	Status	Previous Part Code 1	Previous Part Code 2
21	<a href="#">174058</a>	O-RING, 45.5MMx2.0MM	active		
22	<a href="#">P3032000400</a>	CYLINDER	active		
23	<a href="#">86460</a>	O-RING,1.859X.139	active		
24	<a href="#">175562</a>	BUMPER	active	<a href="#">P303000600</a>	
25	<a href="#">P3490000600</a>	ASSEMBLY,FRAME UNIT	active		
26	<a href="#">850242</a>	O-RING,1.799X.103	active	<a href="#">S06A013300</a>	
27	<a href="#">P3490000540</a>	END CAP	active		
28	<a href="#">TVA6</a>	KIT,TRIGGER VALVE	active		
29	<a href="#">174070</a>	PIN, SPRING, M3x22MM	active	<a href="#">S0803022000</a>	
30	<a href="#">100298</a>	PIN, SPIRAL M3X30	active	<a href="#">S0803030000</a>	
31	<a href="#">P2840002766</a>	SAFETY GUIDE	active		
32	<a href="#">P2325202662</a>	SPRING	active		
33	<a href="#">P2845203062</a>	SPRING HOLDER	active		
34	<a href="#">174062</a>	STEPPED PIN	active	<a href="#">P2845202962</a>	
35	<a href="#">SEQ4</a>	KIT,SEQUENTIAL TRIP CONVERSION	active		
36	<a href="#">CNTK1</a>	KIT,CONTACT TRIP CONVERSION	active		
37	<a href="#">174073</a>	O-RING, 2.05MMx2.62MM	active	<a href="#">1FA0103</a>	<a href="#">S06A010300</a>
38	<a href="#">174065</a>	NUT,NYLON LOCK,M5x0.8	active	<a href="#">S0710500</a>	
39	<a href="#">1A105201</a>	HEX. SOC. HD. BOLT	active	<a href="#">S0110520100</a>	
40	<a href="#">G4006600</a>	ASSEMBLY,CONTACT ARM	active		
41	<a href="#">P2325205662</a>	MAGAZINE SPACER	active		
42	<a href="#">P2320005500</a>	GUARD	active		
43	<a href="#">P2320005400</a>	RUBBER PAD	active		
44	<a href="#">S06A000500</a>	O-RING	active		
45	<a href="#">P2325207562</a>	SPRING PIN	active		
46	<a href="#">G7600300</a>	ASSEMBLY,FEED/JAW CONNECTION	active		
47	<a href="#">851483</a>	O-RING,1.739X.070	active	<a href="#">1FA0031</a>	<a href="#">S06A003100</a>
48	<a href="#">S2710620101</a>	HEX.SOC.HD.BOLT	active	<a href="#">S0410600</a>	
49	<a href="#">S2710620101</a>	HEX.SOC.HD.BOLT	active	<a href="#">S0110620101</a>	
50	<a href="#">S06P000400</a>	O-RING	active		
51	<a href="#">S06S000401</a>	O-RING	active		
52	<a href="#">S06P000300</a>	O-RING	active		
53	<a href="#">P3030000565</a>	NOSE	active		
54	<a href="#">S06P000900</a>	O-RING	active		
55	<a href="#">P3035502962</a>	FEED PISTON	active		
56	<a href="#">P2325205062</a>	SPRING	active		
57	<a href="#">P2322005100</a>	FEED PISTON BUMPER	active		
58	<a href="#">P2325205262</a>	FEED PISTON COVER	active		
59	<a href="#">S15202800</a>	C-RING	active		
60	<a href="#">G4601500</a>	DOOR ASSEMBLY	active		
61	<a href="#">P2320010000</a>	DOOR LATCH	active		
62	<a href="#">P2820004162</a>	SPRING	active		
63	<a href="#">P2320004100</a>	SPRING	active		
64	<a href="#">P3030001665</a>	DOOR	active		
65	<a href="#">P3030002862</a>	SECOND NAIL STOPPER	active		
66	<a href="#">P2840004100</a>	GROMMET	active		
67	<a href="#">P3030002762</a>	UPPER NAIL STOPPER	active		
68	<a href="#">P2325203862</a>	DOOR COVER	active		
69	<a href="#">S0110412101</a>	HEX.SOC.HD.BOLT	active		
70	<a href="#">P2320003900</a>	SPRING	active		

Chart Ref	Spare part code	Description	Status	Previous Part Code 1	Previous Part Code 2
71	<a href="#">P2325203662</a>	DOOR PIVOT PIN	active		
72	<a href="#">P3030001000</a>	ASSEMBLY,MAGAZINE	active		
73	<a href="#">S1410408400</a>	SELF TAPPING SCREW	active		
74	<a href="#">P3030000900</a>	MAGAZINE UNIT	active		
75	<a href="#">P3030000866</a>	ADJUSTING POST	active		
76	<a href="#">S0802512000</a>	SPRING PIN	active		
77	<a href="#">G7700200</a>	ASSEMBLY,NAIL HOLDER	active		
78	<a href="#">P2325207062</a>	SPRING CLIP	active		
79	<a href="#">P3030001466</a>	NAIL HOLDER	active		
80	<a href="#">P2320005800</a>	NAIL HOLDER COVER	active		
81	<a href="#">P3030001866</a>	MAGAZINE COVER	active		
82	<a href="#">P2845202662</a>	PIN	active		
83	<a href="#">P3030001732</a>	SAFETY SLEEVE	active		
84	<a href="#">175582</a>	SEAT PLATE,HOOK	active		
85	<a href="#">175583</a>	HOOK	active		
86	<a href="#">175557</a>	O-RING,21.9MMX2.62MM	active		
87	<a href="#">175585</a>	CAP,HOOK	active		
88	<a href="#">175586</a>	RING,RETAINING	active		
89	<a href="#">P3490000200</a>	WASHER	active		